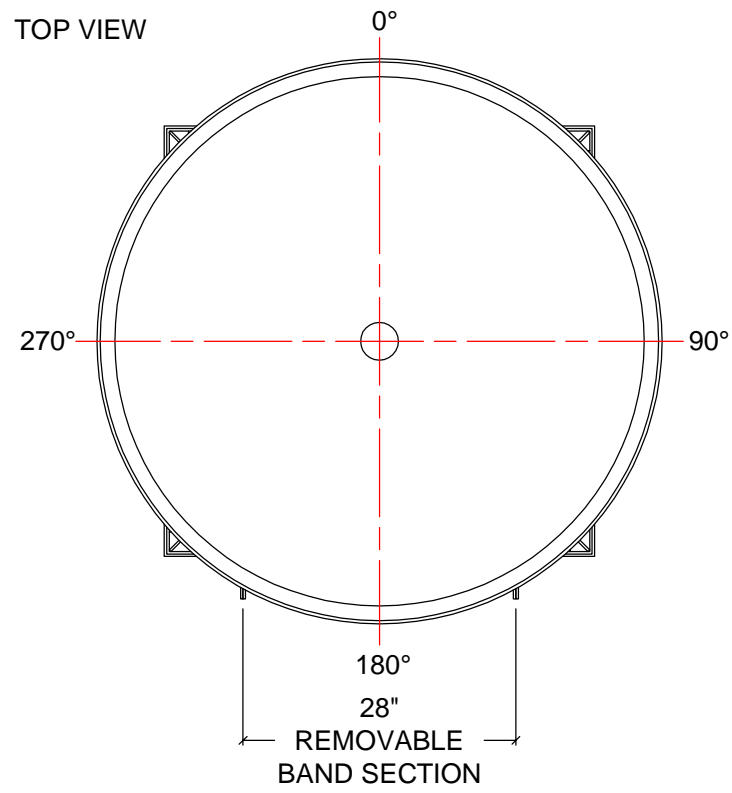


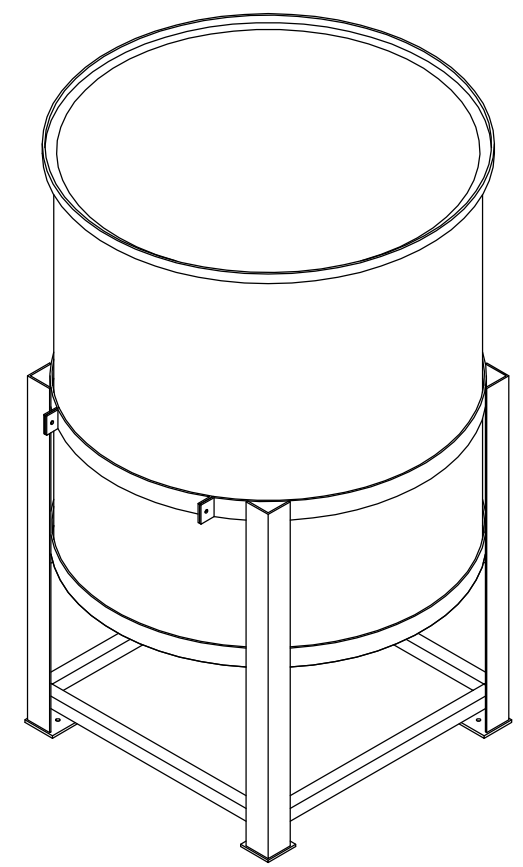
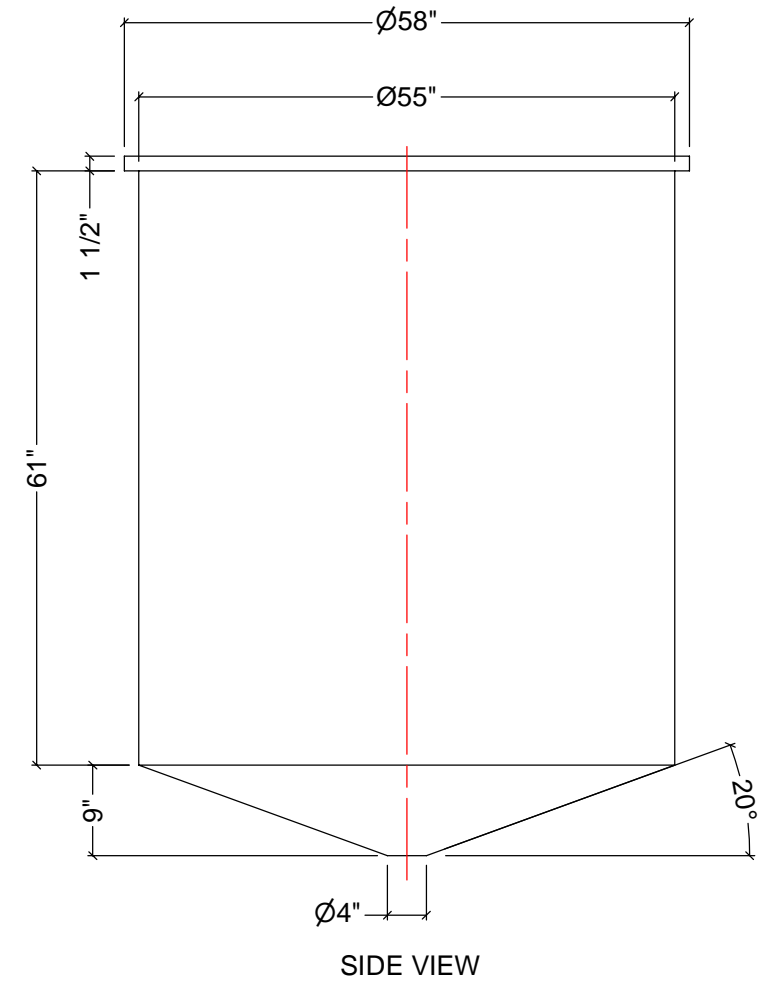
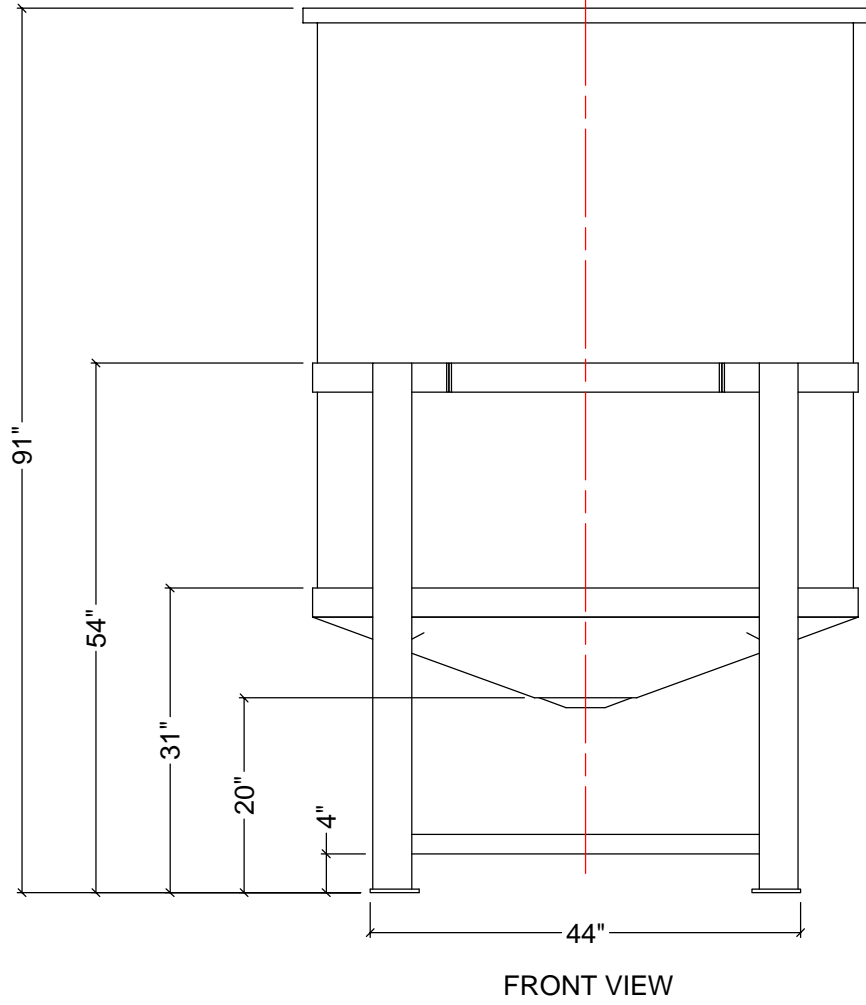
TOP VIEW



NOTES:

1. TANK IS MANUFACTURED TO ASTM-D-1998 STANDARD.
2. ALL DIMENSIONS ARE APPROXIMATE.

MATERIALS LIST		
ITEMS	DESCRIPTION	NOTES
A	CBO-500 TANK	
B	STEEL STAND FOR CBO-500	



**AGRICO PLASTIQUES**  
450-471-2772

[WWW.AGRICOPLASTIQUES.COM](http://WWW.AGRICOPLASTIQUES.COM)

RÉSERVOIR CBO500ST

CAPACITÉ DE:  
500 GALLONS IMPÉRIAUX  
600 GALLONS US  
2273 LITRES