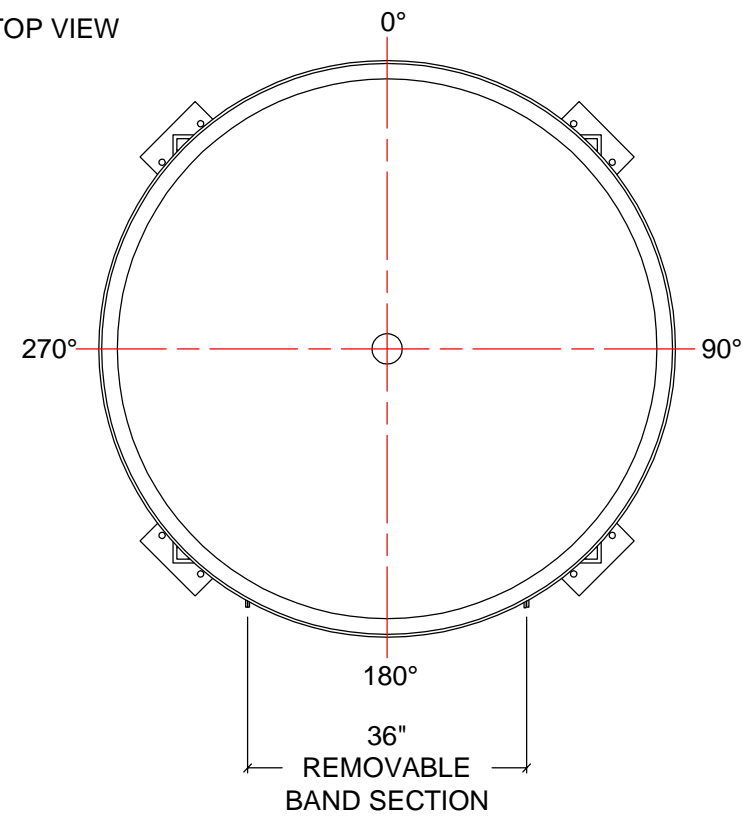


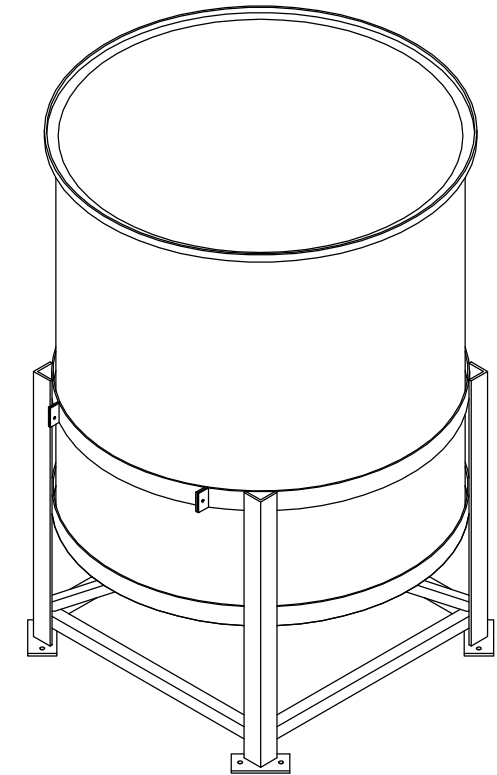
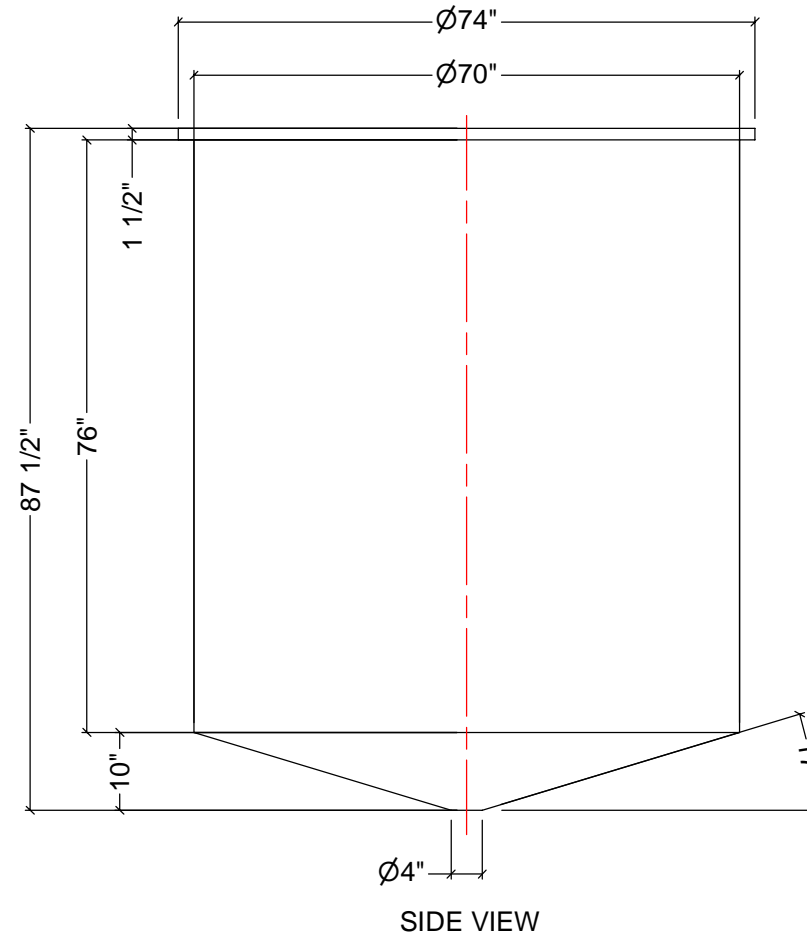
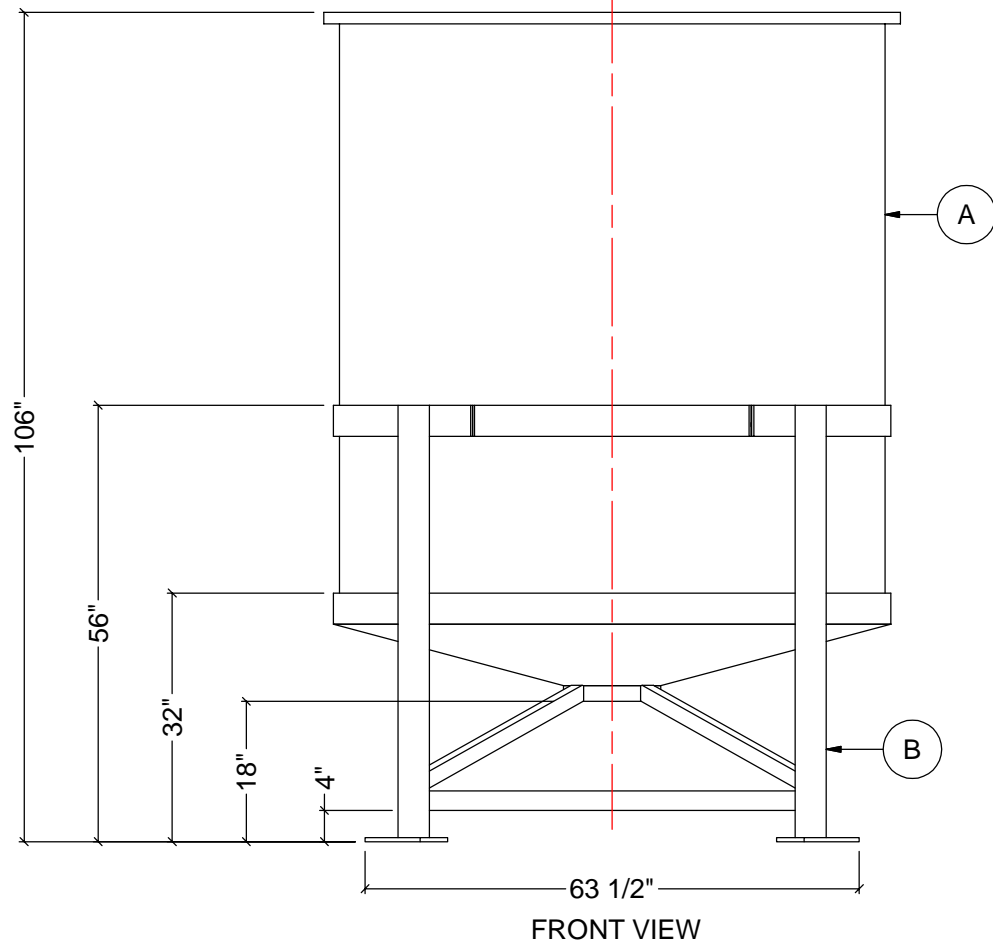
TOP VIEW



NOTES:

- 1. TANK IS MANUFACTURED TO ASTM-D-1998 STANDARD.
- 2. ALL DIMENSIONS ARE APPROXIMATE.

MATERIALS LIST		
ITEMS	DESCRIPTION	NOTES
A	CBO-1000 HDPE TANK	
B	STEEL STAND FOR CBO-1000	



**AGRICO PLASTIQUES**  
450-471-2772

[WWW.AGRICOPLASTIQUES.COM](http://WWW.AGRICOPLASTIQUES.COM)

RÉSERVOIR CBO100015 / CBO100019

CAPACITÉ DE:  
1000 GALLONS IMPERIAUX  
1200 GALLONS US  
4500 LITRES