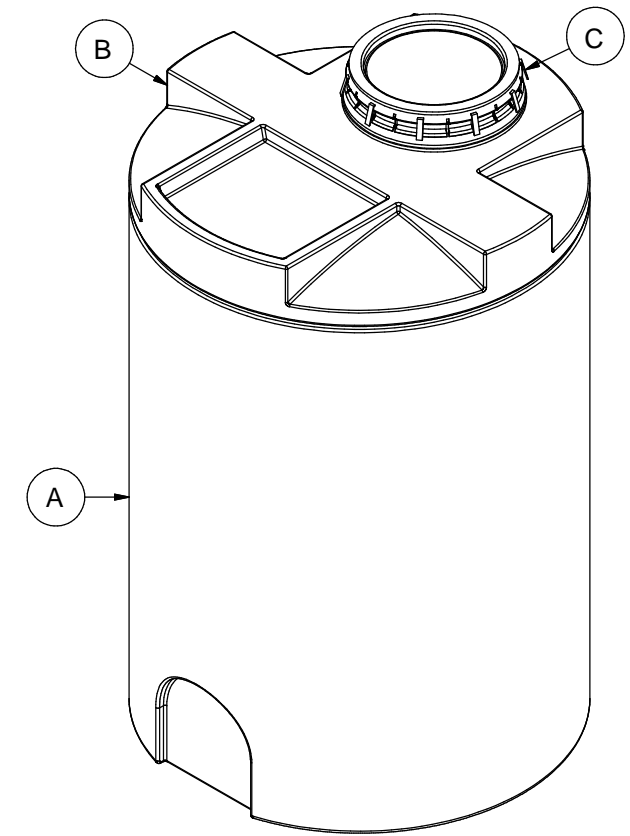
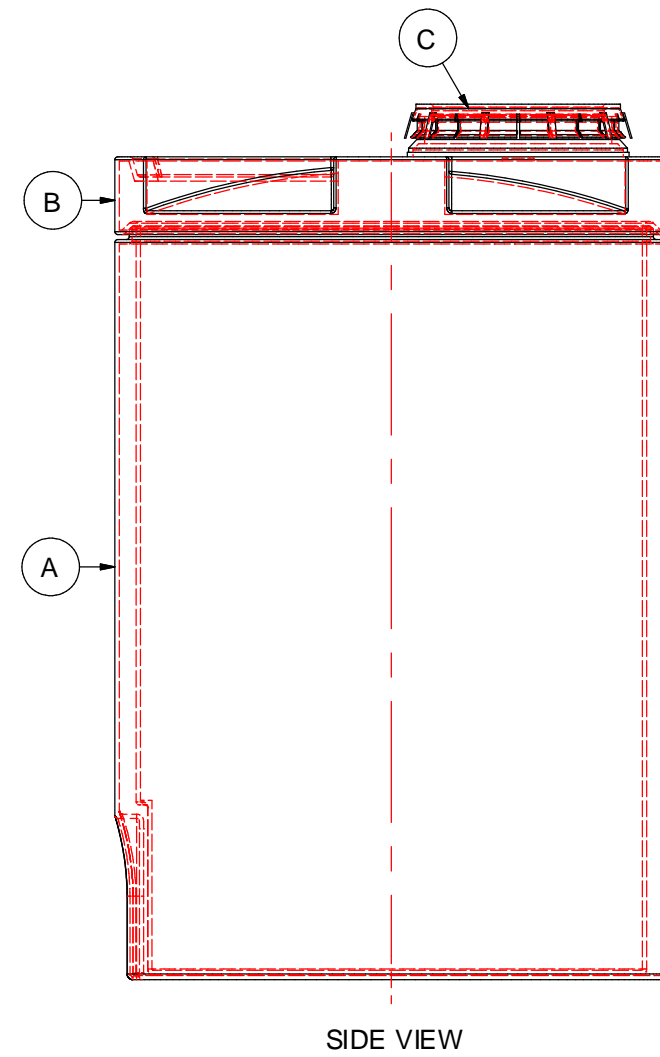
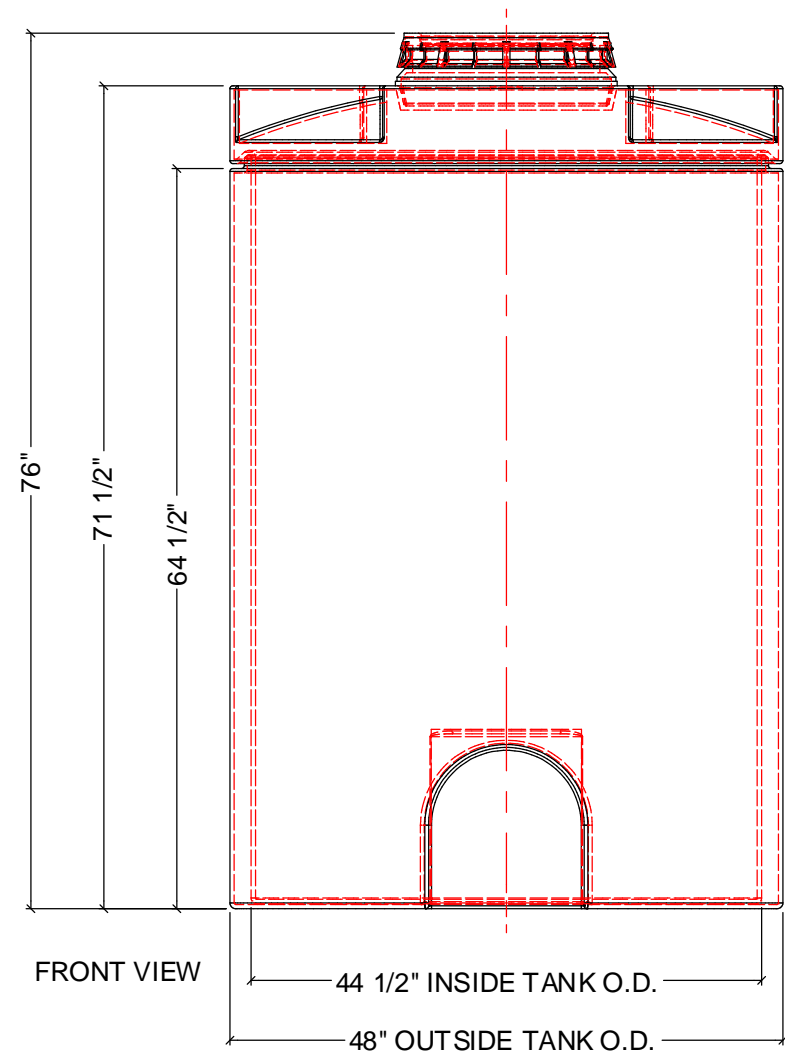


NOTES:

1. TANK IS MANUFACTURED TO ASTM-D-1998 STANDARD.
2. ALL DIMENSIONS ARE APPROXIMATE.

MATERIALS LIST		
ITEMS	DESCRIPTION	NOTES
A	DMT-335-OUTSIDE TANK	
B	DMT-335-INSIDE TANK	
C	16" LID WITH LOCKING STRAP	



AGRICO PLASTIQUES
 450-471-2772
www.agricoplastiques.com
 Réservoir double parois DMT335
 Capacité :
 335 Gallons Impériaux
 425 Gallons US
 1600 Litres