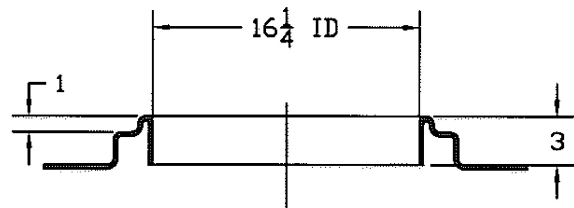
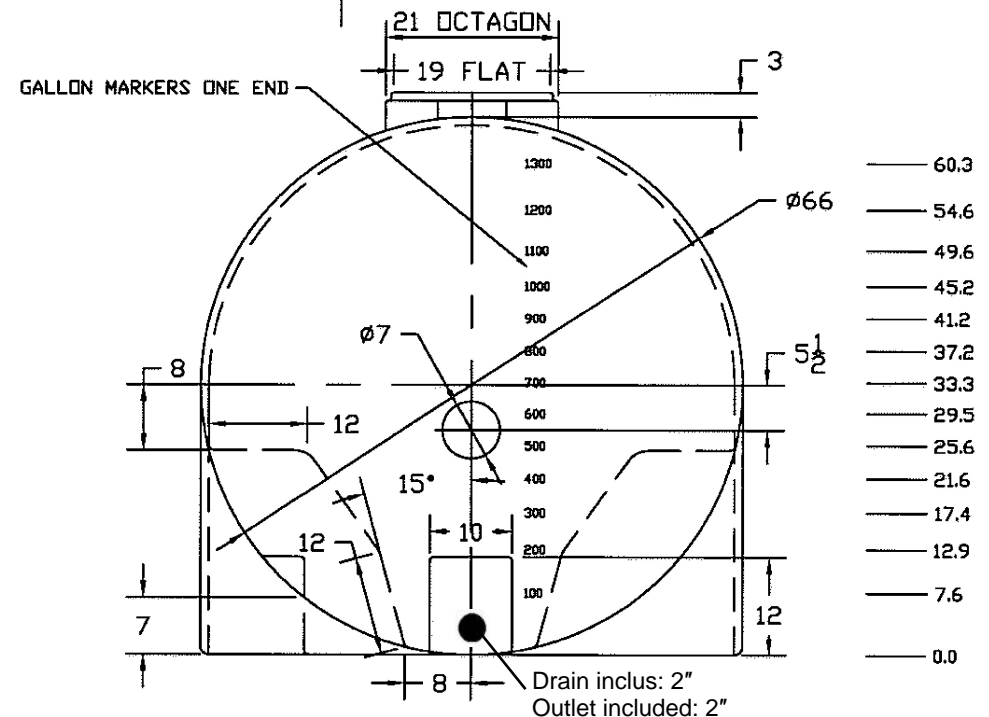
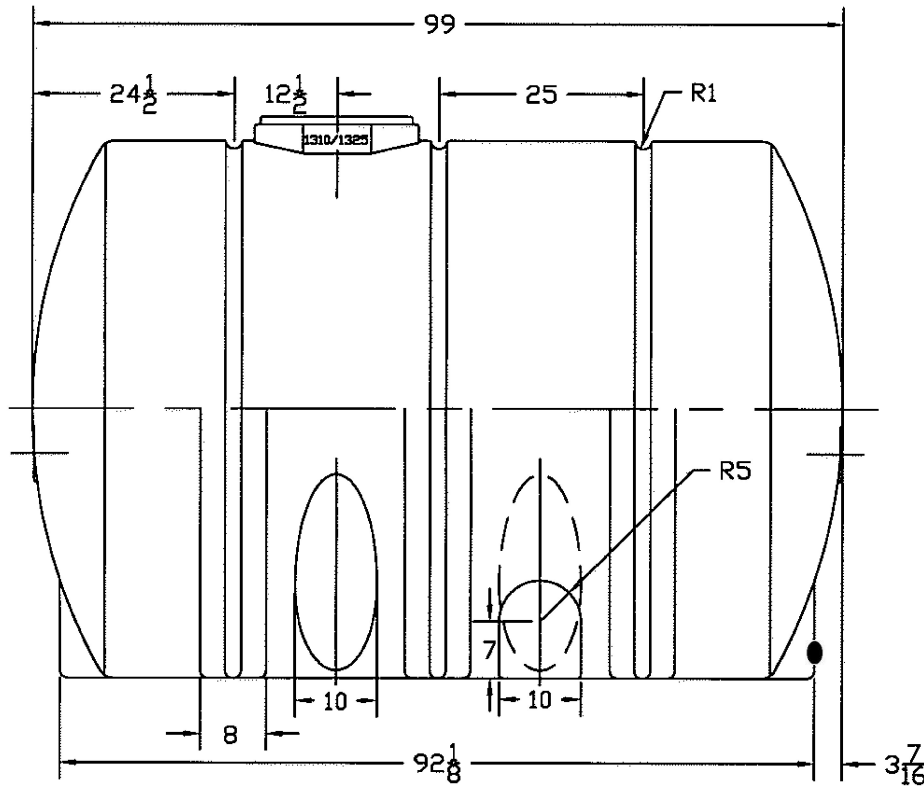


REVISIONS				
ZONE	REV	DESCRIPTION	DATE	APPROVED



FILLWELL DETAIL - 1/8/ SCALE

HL-41875	AGRICO PLASTIQUES 450-471-2772			
	1325 GALLON HORIZONTAL LEG TANK			
JTP 04AUG03	SIZE B	FSCM NO.	DWG NO.	REV
SCALE 1/16			SHEET	