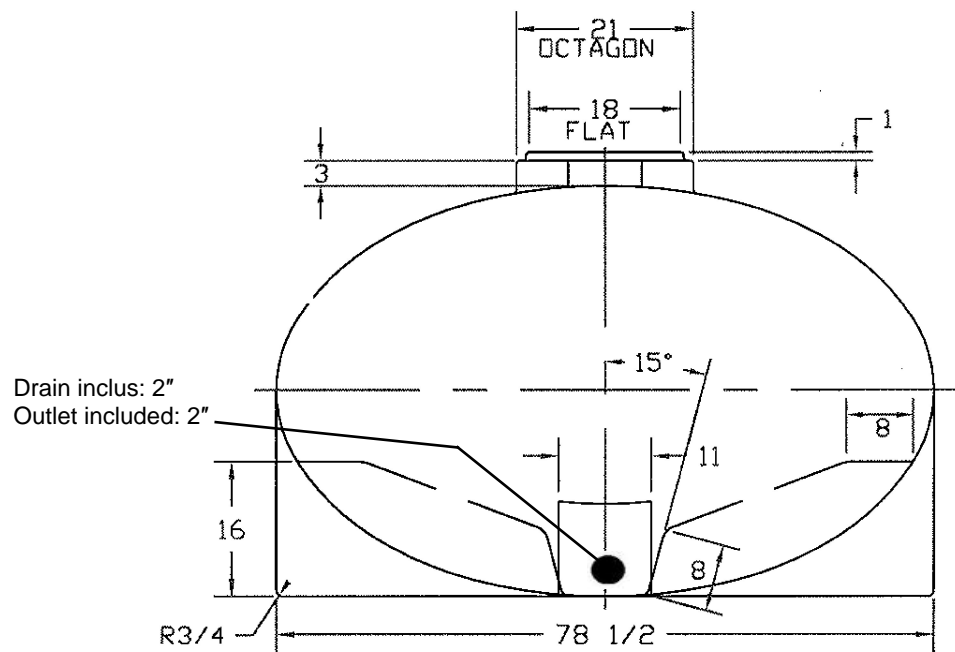
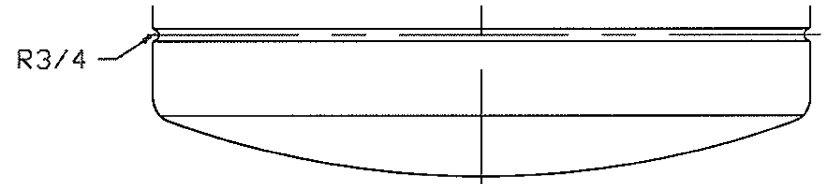
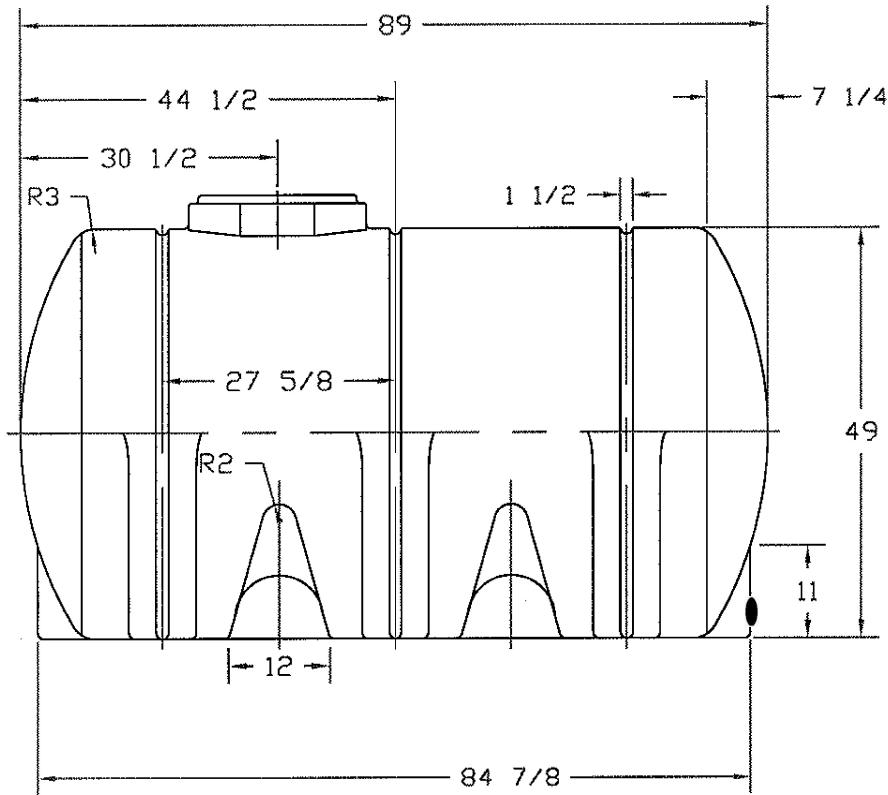


REVISIONS				
ZONE	REV	DESCRIPTION	DATE	APPROVED
	E	REDRAWN	25JUN97	
	F	SPARGER FLATS REVISED	23OCT98	
	G	SPARGER FLATS RMVD.	07MAR01	



EL-40191		AGRICO PLASTIQUES 450-471-2772		
		1035 GALLON ELLIPTICAL LEG TANK		
JTP	25JUN97	SIZE B	FSCM NO.	DWG NO.
SCALE 1/16		SHEET		REV G