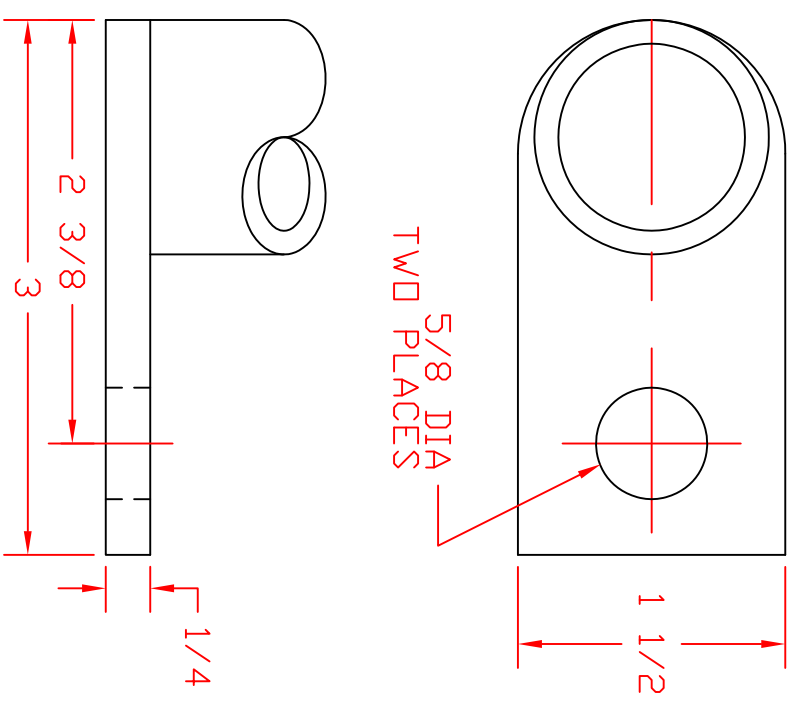
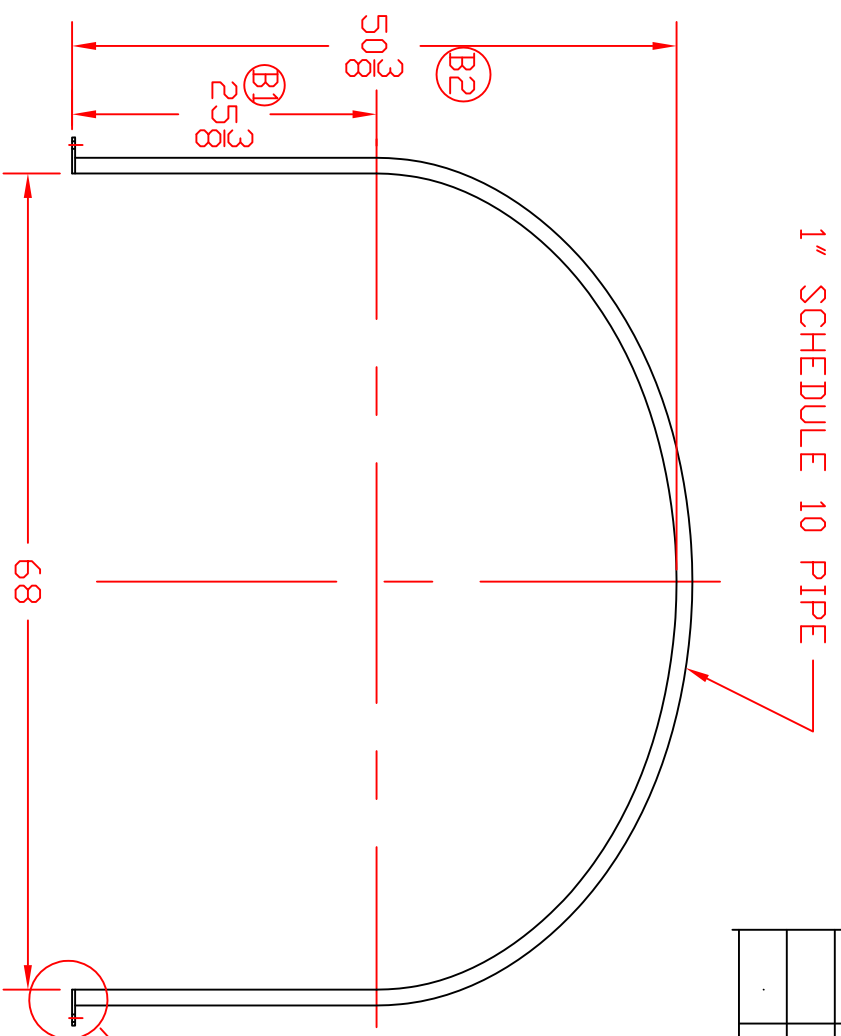


Arceau de fixation en acier pour réservoir elliptique EL40387 et EL40388HW  
 No pièces: AR60586

REVISIONS				
ZONE	REV	DESCRIPTION	DATE	APPROVED
	A	REDRAWN	10SEP97	
	B	WAS ① 26 ② 51	20NOV14	



FULL SCALE DETAIL

NOTE: WELD WITH LOW HYDROGEN ROD

FINISH: HOT DIPPED GALVANIZE

AR60586

**Agrico Plastiques**  
 www.agricoplastiques.com  
 450-471-2772

Steel Band use with elliptical tank: EL40387 and EL4068

Part no: AR60586

SCALE 1/16

SHEET