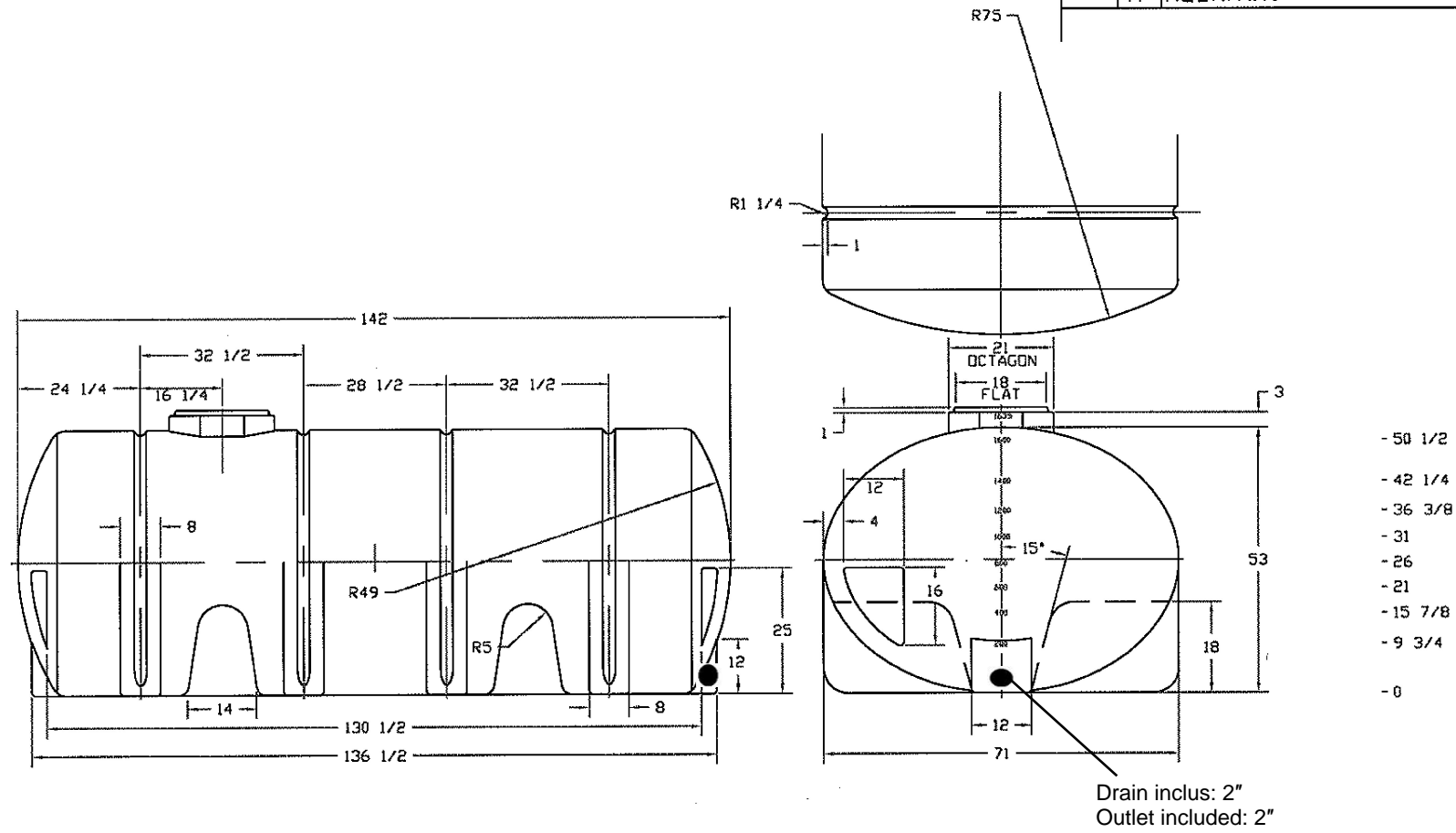


REVISIONS				
ZONE	REV	DESCRIPTION	DATE	APPROVED
	A	REDRAWN	22AUG97	



EL-40387		AGRICO PLASTIQUES 450-471-2772		
		1635 GALLON ELLIPTICAL LEG TANK		
JTP	22AUG97	SIZE B	FSCM NO.	DWG NO.
SCALE 1/24		SHEET		REV A