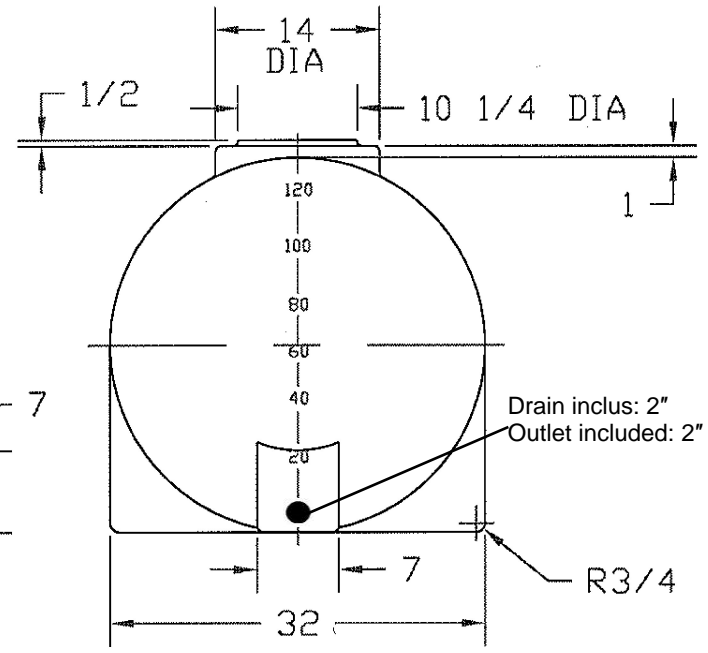
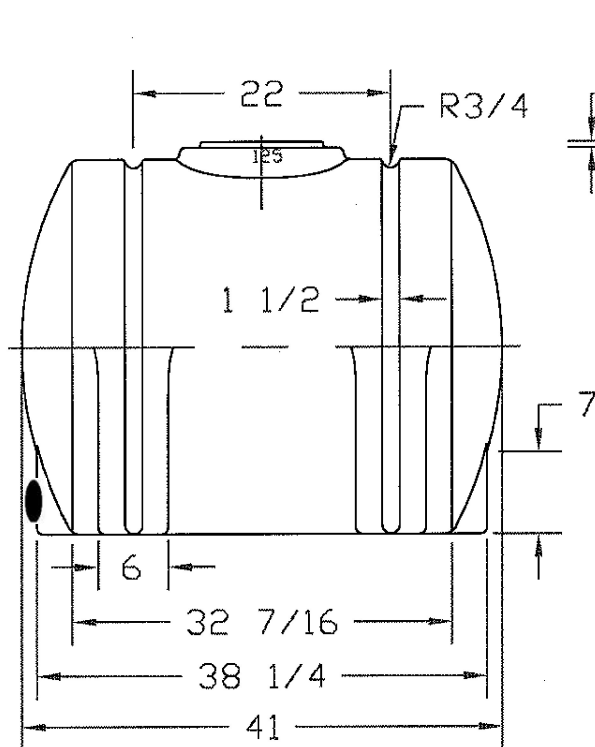


8 1/4 ACME THD,  
RH, FOR 60002 LID

REVISIONS				
ZONE	REV	DESCRIPTION	DATE	APPROVED
	A	REDRAWN	14AUG97	



- 29.3
- 24.5
- 19.5
- 15.5
- 11.5
- 6.5
- 0

GALLON MARKS BOTH ENDS

HL-40298		<b>AGRICO PLASTIQUES</b> 450-471-2772		
		125 GALLON HORIZONTAL LEG TANK		
JTP	14AUG97	SIZE A	FSCM NO.	DWG NO.
		SCALE 1/16		SHEET
				REV A