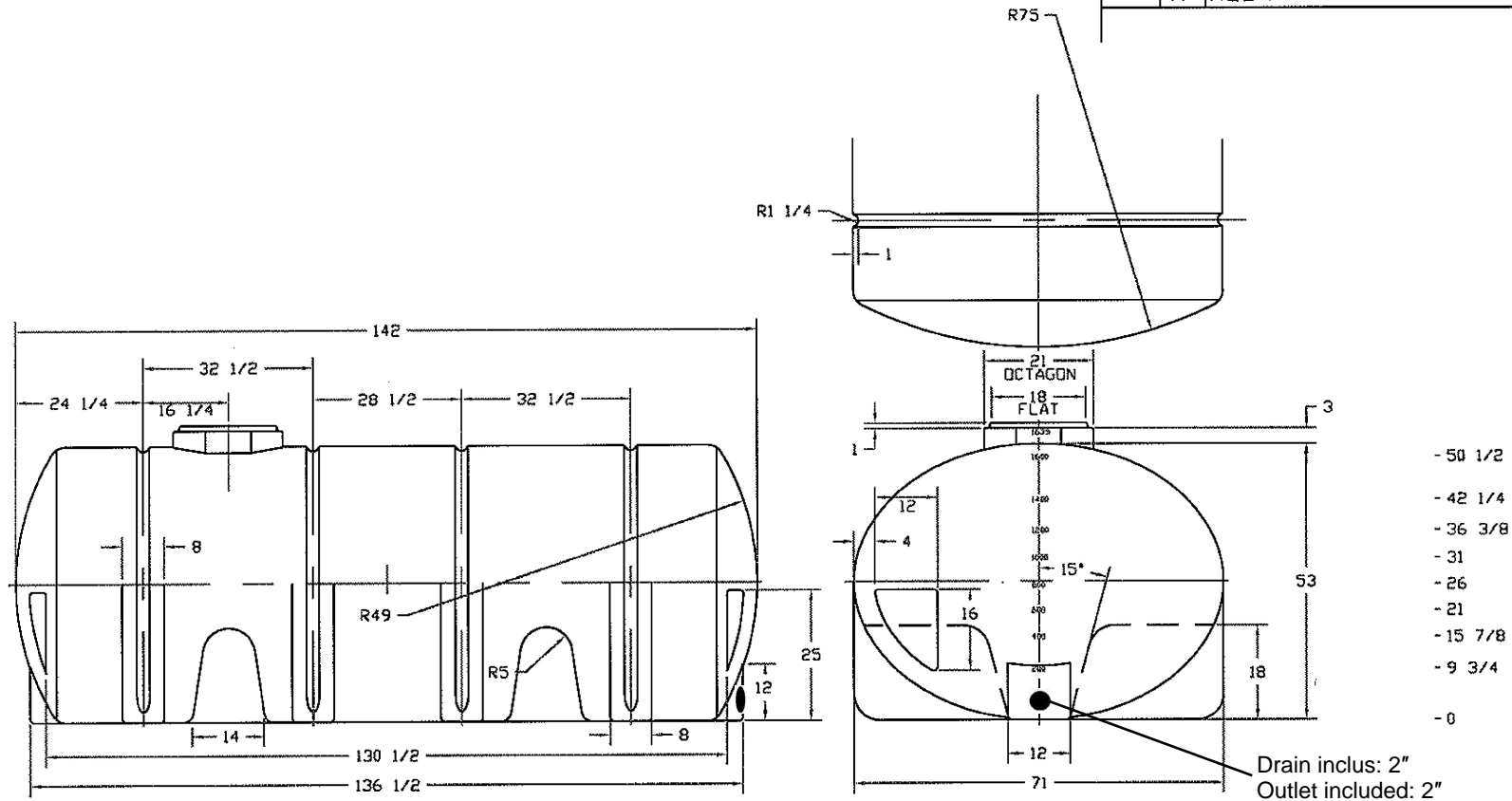


REVISIONS				
ZONE	REV	DESCRIPTION	DATE	APPROVED
	A	REDRAWN	22AUG97	



EL40388		AGRICO PLASTIQUES 450-471-2772		
		1635 GALLON ELLIPTICAL LEG TANK		
JTP	22AUG97	SIZE B	FSCM NO.	DWG NO.
		SCALE 1/24	SHEET	
				REV A