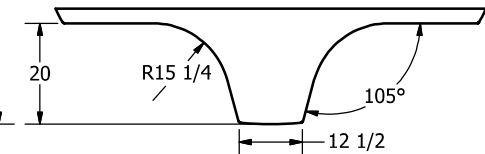
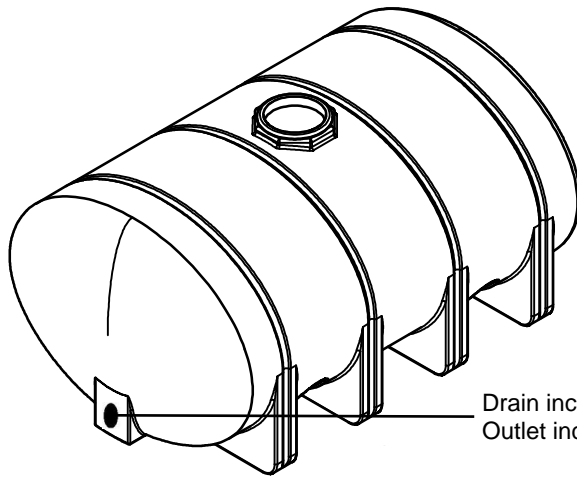


SECTION A-A
SCALE 1 / 24



SECTION B-B
SCALE 1 / 24



Drain inclus: 3" avec réduit de 2"
Outlet included: 3" with 2" reducer

DRAWN Jerry Paulson	10/12/2007	AGRICO PLASTIQUES 450-471-2772		
CHECKED		TITLE		
QA		2635 GALLON ELLIPTICAL TANK		
MFG		SIZE B	DWG NO EL-40547	REV A
APPROVED Jerry Paulson		SCALE: 1/24		SHEET 1 OF 1