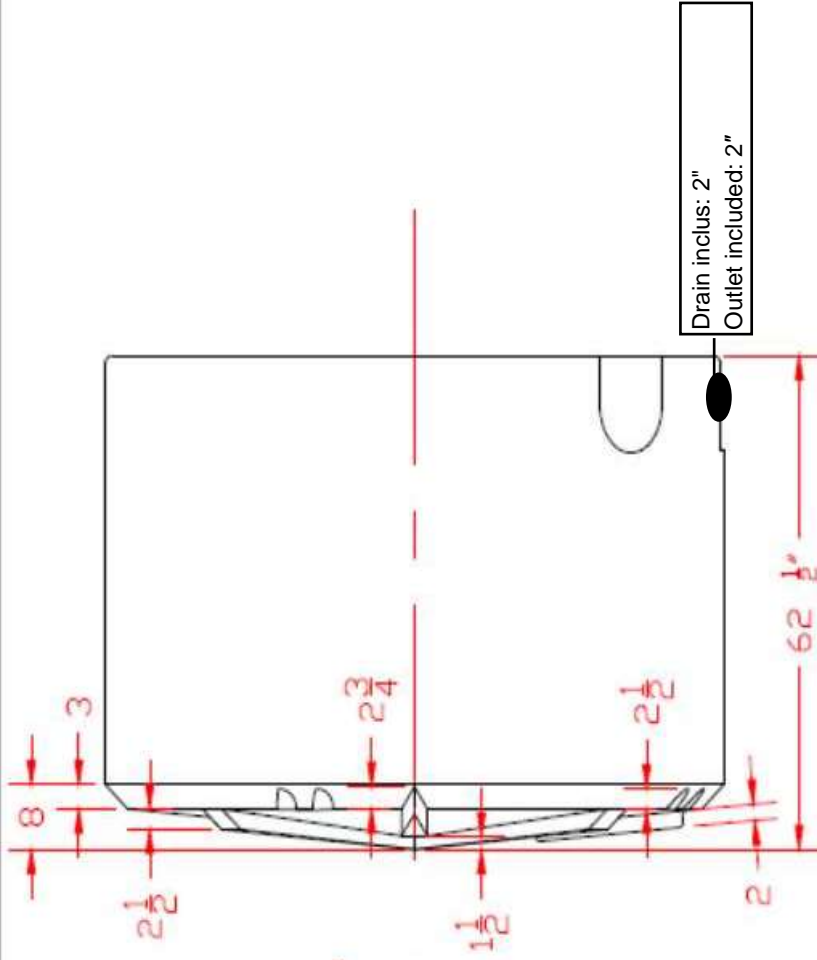
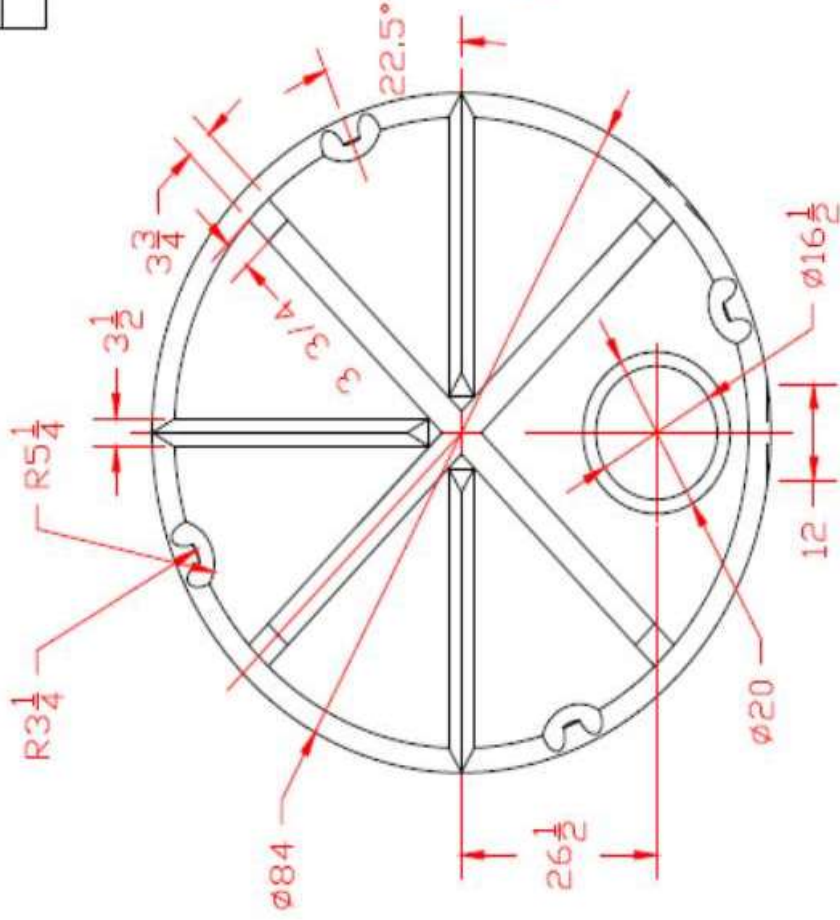


Réservoir Vertical 1295 Gallon US

REVISIONS				
ZONE	REV	DESCRIPTION	DATE	APPROVED



AGRICO PLASTIQUES
450-471-2772

1295 GALLON VERTICAL TANK

JTP 26SEP17

SIZE A

FSCM NO.

DWG NO.

VFN44968

REV

SCALE 1/32"

SHEET