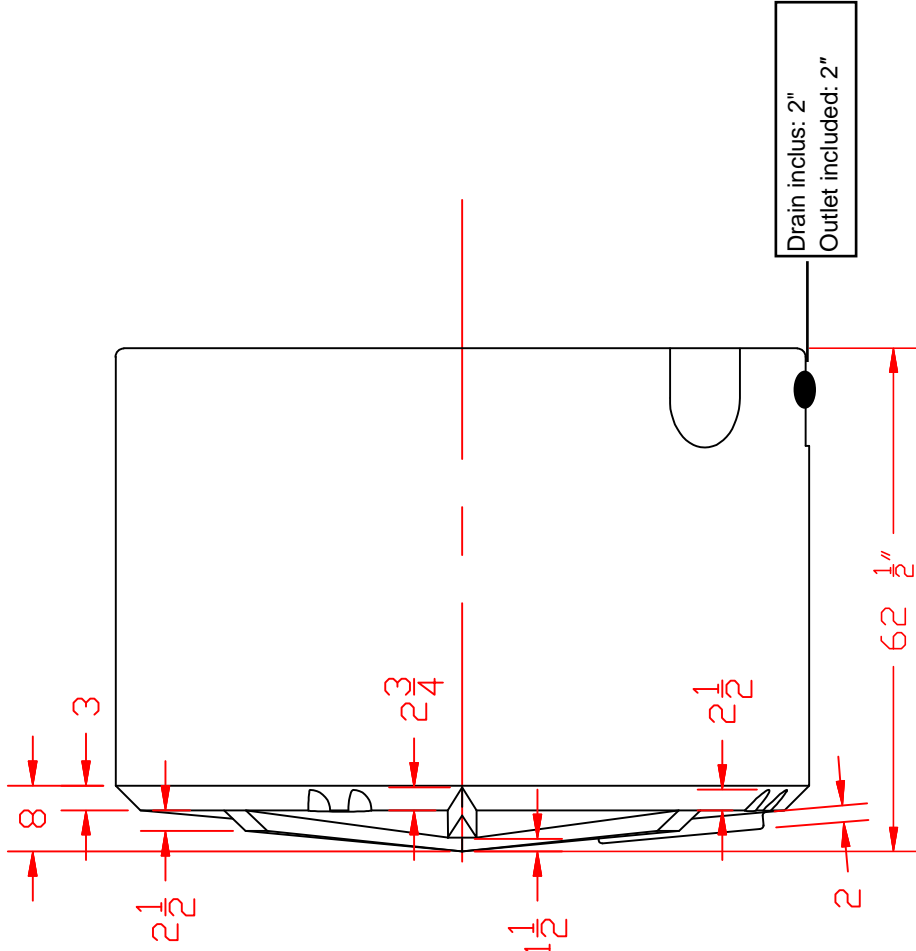
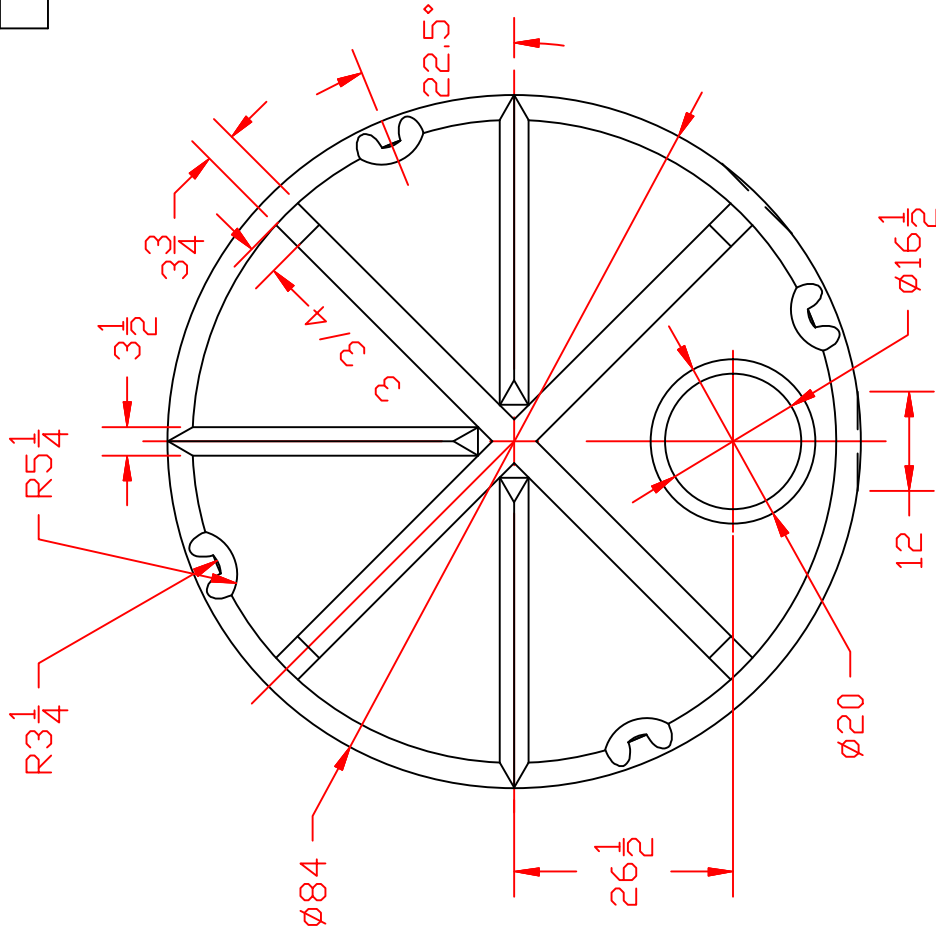


REVISIONS

ZONE	REV	DESCRIPTION	DATE	APPROVED



AGRICO PLASTIQUES
450-471-2772

1295 GALLON VERTICAL TANK

JTP 26SEP17

SIZE A

DWG NO.

VFN44970

REV

SCALE 1/24

SHEET