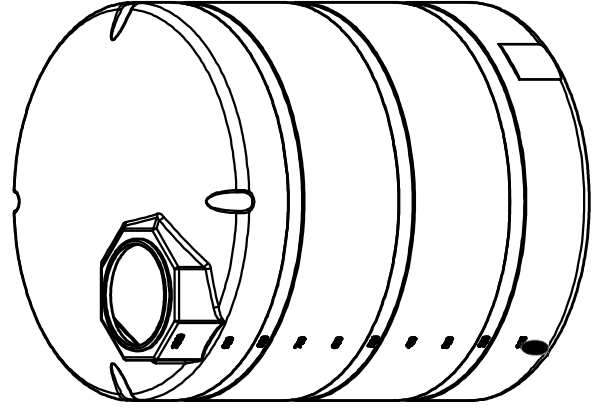


Drain inclus: 2"
Outlet included: 2"



REVISION HISTORY		DATE	AUTHOR
REV A	DESCRIPTION REDRAWN	1/9/1997	
REV B	DESCRIPTION REDRAWN	7/26/2013	Michael Holden
DRAWN Jerry Paulson		1/9/1997	
CHECKED			
QA			
MFG			
APPROVED			
TITLE		1000 GALLON VERTICAL TANK	
SIZE B	DWG NO VFN40155	REV B	
SCALE: 1/16	SHEET 1 OF 1		

AGRICO PLASTIQUES
450-471-2772