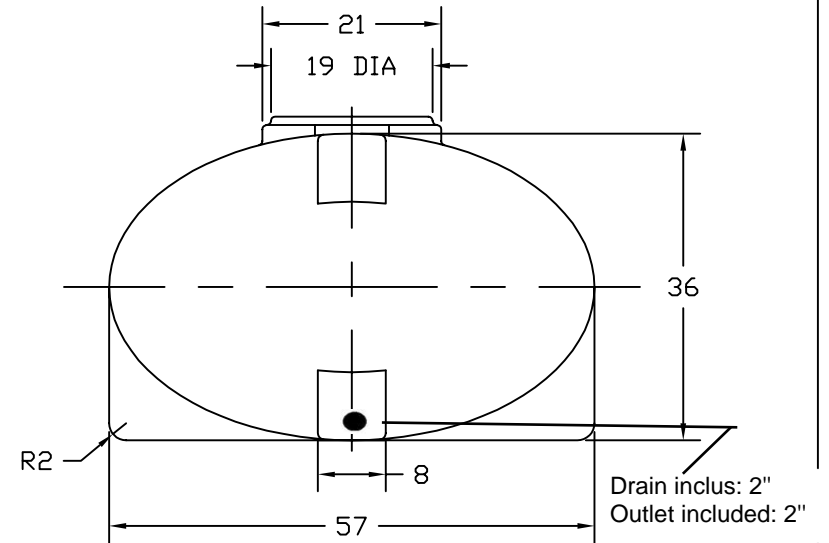
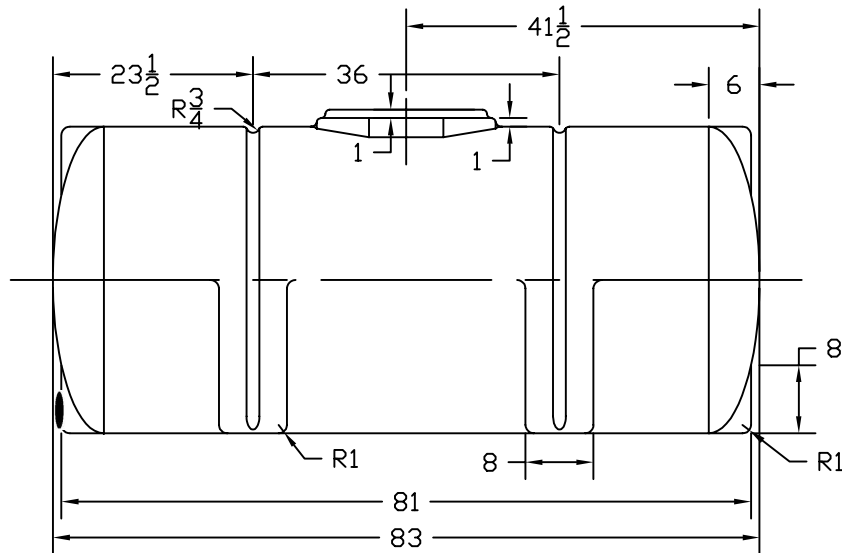


FILLWELL DETAIL
1/12 SCALE



REVISIONS				
ZONE	REV	DESCRIPTION	DATE	APPROVED

EL-42353		AGRICO PLASTIQUES 450-471-2772		
		535 GALLON ELLIPTICAL LEG TANK		
JTP	23FEB06	SIZE B	FSCM NO.	DWG NO.
SCALE 1/16		SHEET		REV